

35kV Class 600Amp rms Deadbreak Bushing

GENERAL

Designed and manufactured in accordance with the requirements of IEEE Std 386-2006, standard for separable insulated connector systems. Deadbreak bushing, 35kV 600A bushing, will adopt all 600 Amp rms separable connectors manufactured according to IEEE Std 386-2006.

This bushing is made of epoxy polymer with built-in stainless ground shield, electrical grounding is automatically completed by direct connection between the bushing clamp and the three ground clips which were already connected to the built-in ground shield in factory. Epoxy bushing is designed for sidewall mounting in transformers, switches and other apparatus filled with mineral transformer oil, or an approved equivalent. All separable connector systems on the market can be used with this bushing.



INSTALLATION

Required no special tools the bushing is mounted through the transformer or switchgear sidewall by externally clamping the stainless clamp, furnished with the bushing, refer to the Installation manual furnished with the bushing.

PRODUCTION TESTS

Tests are conducted according to IEEE Std 386-2006.

- AC 60 Hz 1 Minute Withstand: 50 kV
- Minimum Partial Discharge Extinction Level: 26kV (Standard)

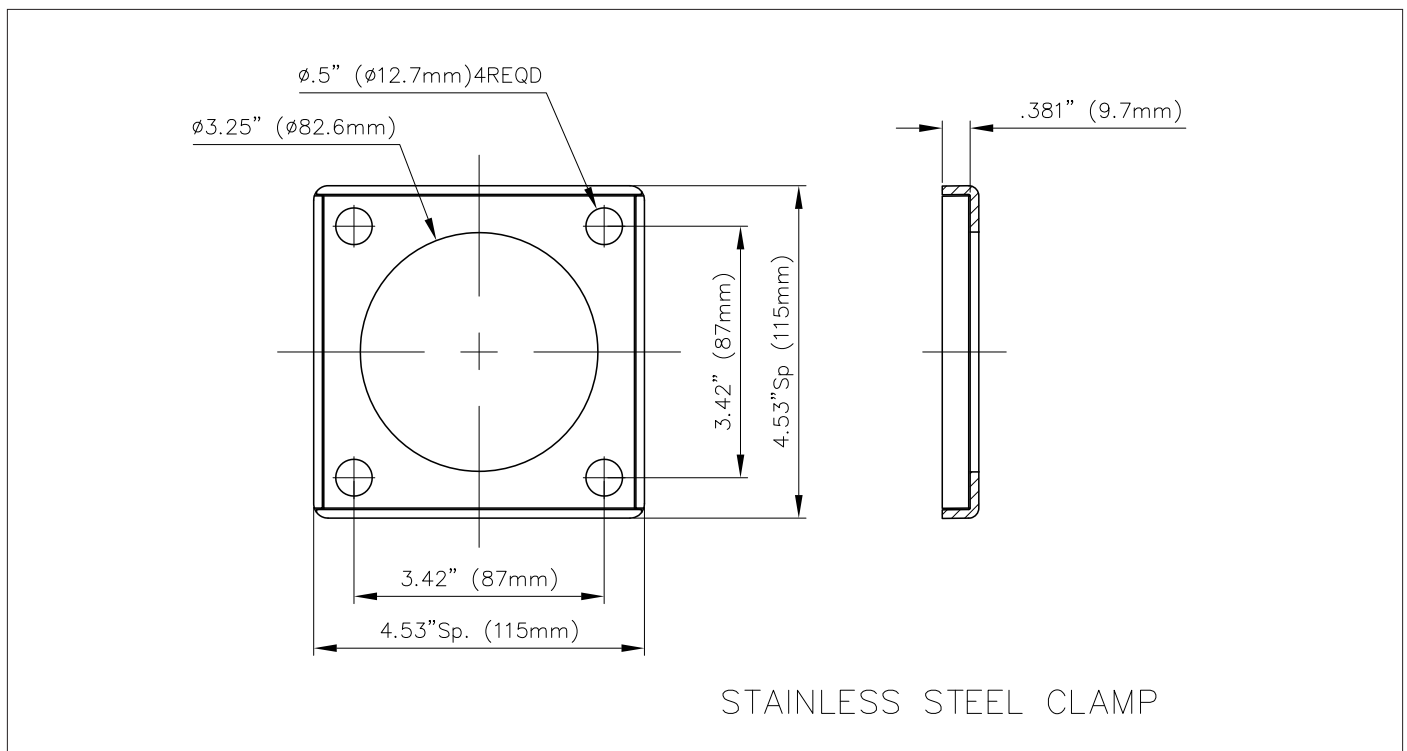
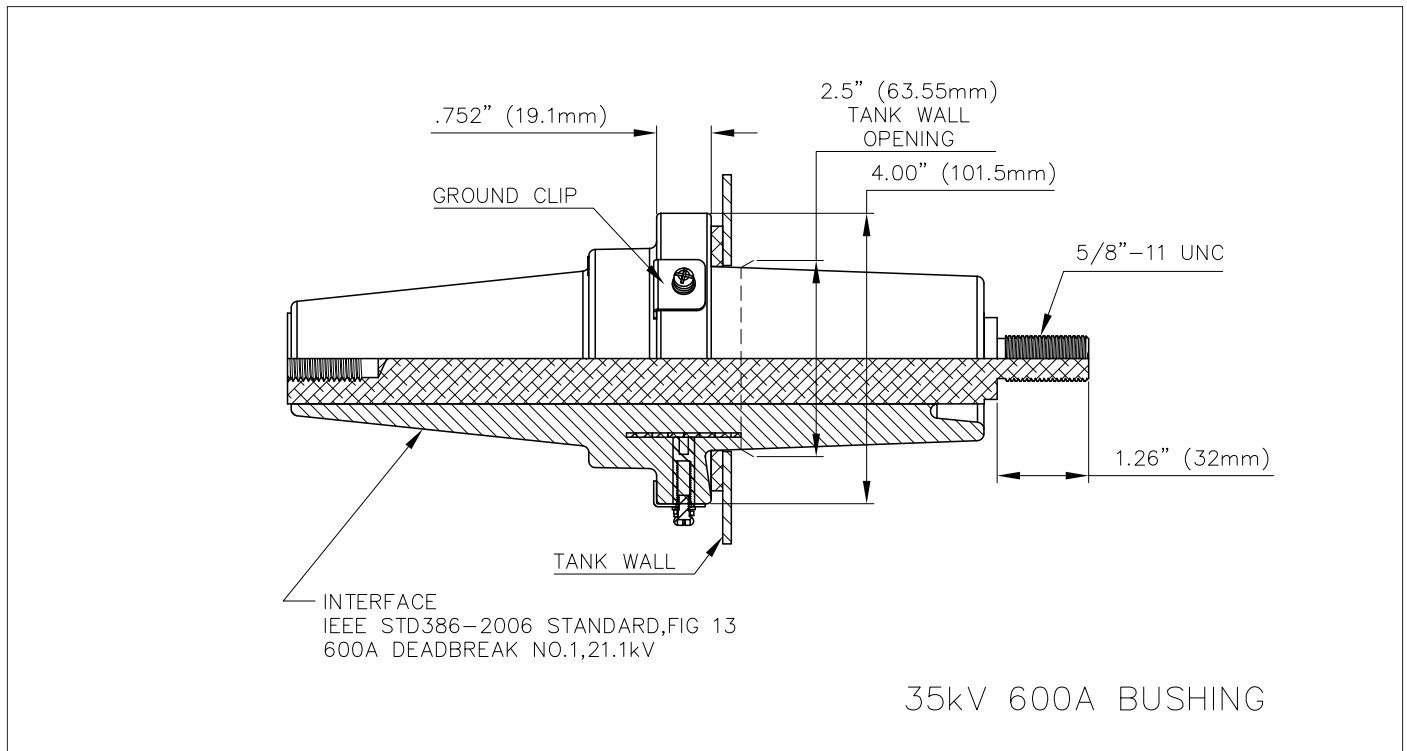
Tests conducted in accordance with Celeco requirements:

- Physical Inspection
- Periodic Dissection
- Periodic Fluoroscopic Analysis
- Periodic Impulse Withstand

TECHNICAL DATA

TABLE 1 - Voltage and Current Ratings and Characteristics - IEEE STD. 386-2006

Voltage and Current Ratings	35kV Class
Operating Voltage	
Maximum Phase-to-Phase	36.6kV
Maximum Phase-to-Ground	21.1kV
Withstand Voltage	
AC: 50Hz or 60Hz, 60 sec	50kV
DC: 15 minutes	103kV
Impulse Voltage Withstand	
BIL and Full Wave Crest	150kV
Minimum Partial Discharge Extinction Level < 3 pC	26kV
Continuous Current Rating	600Amp
Symmetrical Momentary Current	10kA sym. for 10 cycles (0.17s)
Short Time	25,000 Amp rms symmetrical for 0.17 s 10,000 Amp rms symmetrical for 3.0 s



Typical accessories supplied with each deadbreak bushing:

- Shipping cap (not for energized operation) 1
- Stainless steel clamp 1
- Oil resistant gasket 1
- Installation instruction sheet 1

Note : If you request an aluminum threaded stud for EOB361, please contact Celeco representative.